

TAKSTAR® 得勝

WTG-900

Digital wireless microphone system
USER MANUAL



TAKSTAR®

Guangdong Takstar Electronic Co., Ltd.

Add: Longqiao Road, Longxi Boluo Hui Zhou Guangdong China 516100

Tel: 86 752 6383644

Fax: 86 752 6383952

Email: sales@takstar.com

Website: www.takstar.com

Table of Contents

Product Features.....	2
Installation/Recharging Instruction.....	3
Function Buttons Instruction.....	4-5
Operating Instruction.....	5-6
Caution/Maintenance.....	6-7
Specification.....	7
Troubleshooting.....	8
Packing List.....	9-10

Special Declaration

- Takstar is a registered trademark, no person or unit is allowed to use without formal authorization from Guangdong Takstar Electronic Co., Ltd.
- Without authorization from Guangdong Takstar Electronic Co., Ltd., any copying, spreading, issuing or reproduction of this manual is forbidden.
- Takstar reserves the right to update and improve the described products and contents in the user manual. They are subject to change without prior notice.
- Product description is subject to actual product.

WTG-900 WIRELESS DIGITAL TOUR GUIDE SYSTEM

Transmitter

WTG-900T Transmitter	1pc
Headworn Microphone	1pc
Single-side Clip-on Headset (L)	1pc
Single-side Clip-on Headset (R)	1pc
Sponge Earpads	5pcs
Windscreen	5pcs
Lavalier Microphone	1pc
Li-ion Battery (inlay)	1pc
Bodypack Hook	1pc
Hanging Strap	1pc
User Manual	1pc
Package: Kraft Box	



Single-side Clip-on headset

Receiver

WTG-900R Receiver	1pc
Single-side Clip-on Headset (L)	1pc
Single-side Clip-on Headset (R)	1pc
Sponge Earpads	5pcs
Li-ion Battery (inlay)	1pc
Hanging Strap	1pc
Bodypack Hook	1pc
Package: Kraft Box	

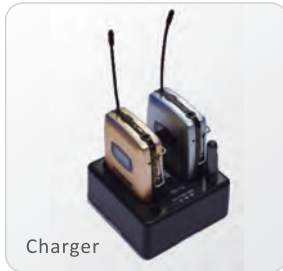


Headworn Microphone

WTG-900 WIRELESS DIGITAL TOUR GUIDE SYSTEM

Charger

CG-12 Charger	1pc
DC Connecting Bar	1pc
Metal Connecting Sheet	1pc
Screw	1pc
Package: Kraft Box	



Packing List for Full Aluminum Case Set

Aluminum Case	1pc
CG-12 Charger	10pcs
Power Adaptor	1pc
WTG-900 Transmitter	1set
WTG-900 Receiver	19sets
DC Connecting Bar	9pcs



WTG-900 WIRELESS DIGITAL TOUR GUIDE SYSTEM

Dear Valued Customer:

Thank you for purchasing Takstar WTG-900 wireless tour guide system. In order to achieve best performance of this system, please read the instruction manual carefully.

Takstar WTG-900 supports wireless talkback function, the mode of tour guide or talkback can be switched according to your using requirement. It is widely used for travelling, meeting, museum visiting, coaching, education and other wireless synchronous translation.

Product Features

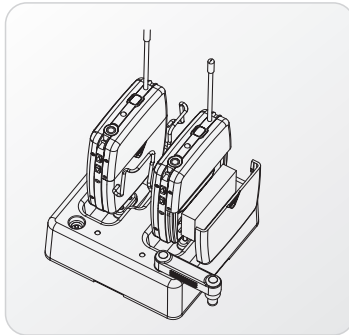
- 780-850MHz UHF frequency band guarantees interference-free reception
- 10 sets of systems can be used at the same time without mutual interference
- More than 100m long operation range, the maximum in open area can be 300m
- Supports wireless talkback function, switch the mode of tour guide or talkback according to your using requirements
- LCD-display indicates the battery level, receiving signal strength as well as the current channel to control the working state anytime
- Adopts intelligent AGC audio signal processing technology for high sound capture capability and high quality sound reproduction
- Powered by high capacity lithium-ion battery, playtime is more than 12hrs
- Light and durable aluminum alloy construction
- Supplied with special charger and portable aluminum case for convenient outdoor using

WTG-900 WIRELESS DIGITAL TOUR GUIDE SYSTEM

Installation/Recharging Instruction

As shown in picture one:

1. If you would like to wear the body-pack at your waist, please first fix one side of the hook into one of the holes in the middle of the system, stretch the hook to the width of the body-pack and then fix the other side of the hook into the corresponding hole. Take care that the body-pack is not scratched by the hook.
2. For recharging, please plug the adaptor into power supply and insert DC port to one of the DC female socket of the charger. The indicator of the charger will light, which means the charger is working. The body-pack can be put inside the charger for recharging.
3. As shown in the picture, the body-pack hook should be placed inside the gap of the charger. Make sure you have put them in correct direction and gently press down to make sure they are well connected. The indicator lights red when recharging and turns green when it is fully recharged.



pic 1

WTG-900 WIRELESS DIGITAL TOUR GUIDE SYSTEM

Troubleshooting

TROUBLE	POSSIBLE REASON	SOLUTION
No sound	The microphone or headset is not plugged completely	Pull out the microphone or headset and replug
	The battery of transmitter is running out of power or in low power	Replace or recharge the battery
	The receiver is set at low volume	Volume up the receiver
Power indicator does not light	The battery is running out of power or in low power	Replace or recharge the battery
Extreme loud sound or sound distortion	Volume of input sound is too high	Adjust the distance between microphone sound capturing and sound source
	Volume of headphone is too high	Adjust the headphone volume to a proper level
Loud noise or no signal	Weak signal or interference	Do not get too far away from transmitter(<100m) or adjust the channel
Transmitter/Receiver automatically power off-no signal	Low battery power	Replace or recharge the battery

WTG-900 WIRELESS DIGITAL TOUR GUIDE SYSTEM

- The recharging time is about 4 hours. After recharging, please shut off power in time and do not recharge for a long time.
- Do not set the system in the charger for a long period of time (over one month), as there may affect the service life of charger and system.
- If the system is not in use for a long time, please remember to maintain the battery at regular period. Generally, please recharge the battery at least once per two months so as to avoid battery damage.
- For any technical question regarding operation, service or accessories, please contact your local distributor.

Specification

Frequency Range:50Hz-12KHz

Transmit Frequency Response:780-850MHZ

Number of Channels: 100

Operating range:≥100m(the maximum in open area can be 300m)

Transmit Power:≤10dBm

Receiving Sensitivity:-120dBm

S/N Ratio:≥60dB

Playtime: Approx. 12hrs

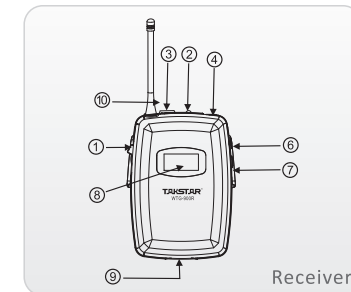
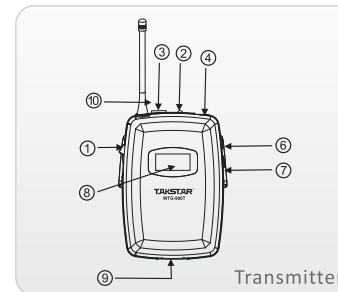
Recharging Period: Approx. 4hrs

Battery Specification: 3.7V/950mAh polymer lithium-ion battery

WTG-900 WIRELESS DIGITAL TOUR GUIDE SYSTEM

Function Buttons Instruction

- ①. Power on/off Switch:
Turn on the power supply, the power indicator LED ② will light. The system will automatically set up the same frequency as last operating channel for the transmitter or receiver.
- ②. Power Supply and Charging Indicator:
When the transmitter or receiver battery power is full, it will turn green;
When the power is lower than one segment, it will turn red;
When there's no signal for receiver, the green light will flicker;
When there's normal signal for receiver, the indicator lights green permanently;
When recharging, it will light red;
When battery is fully charged, the red light will turn green.
(Remark: It should be recharged while the system is powered off)
- ③. SET Setting Buttons:
 1. Mute: The microphone signal mute for transmitter(short press the button for mute or cancelling mute).



2. Switch tour guide mode and talkback mode: under power off status, press the button long and turn on the power supply switch ① at the same time; the LCD screen will display "RTX", it means the system is under talkback mode. Loose the button and you can use the talkback mode.(The mode only need to be switched on the transmitter)
3. Channel setting: Turn on the power supply switch ①, then press this button long to set the channel. The LCD screen ⑧ will flicker, then press ⑥、⑦ (volume+、 volume-) to change frequencies. After 2 seconds it will automatically save channel and lock if you make no operation.

④/⑤ Microphone/headset input socket

Plug the microphone or headset into "MIC IN" socket.

1. When under tour guide mode, the transmitter can use headworn microphone、 lavalier microphone or headset for speaking, while the receiver can only use headset.
2. When under talkback mode, both transmitter and receiver can only use headset.

⑥/⑦. Volume adjusting button:

Press the button for increasing or decreasing the volume, when under SET setting mode, the button is for changing frequency.

⑧. LCD Screen

At normal status, the LCD screen will display working state, signal strength, channel and power level.

⑨. Charging socket

⑩. Antenna

Operating Instruction

1. Tour guide mode:

Plug the headset, headworn microphone or lavalier microphone that supplied for the transmitter into "MIC" socket; plug the headset that supplied for the receiver into MIC socket; turn on the power switch, the system is worked under tour guide mode. The LCD will display operating channel. Check if all the receiver channels are

complied with transmitter'; if not, adjust the channels to the same one as transmitter to receive the signal of the transmitter. This mode only allows speaking with transmitter; the receiver is only for receiving signal. If the sound volume is not suitable, please adjust volume+ or volume- on the side. The tour guide mode is usually used for long time speech, presentation and travel introduction.

2. Talkback mode:

Plug the headset that supplied for the transmitter and receiver into MIC socket; then set the transmitter to talkback mode (see the setting method in "Function Buttons Instruction"), and match the receiver channel with the transmitter channel for communication. When you would like to speak, you should always press the button on the headset. You will hear a sound "di" from the headset and can listen to (monitor) your own voice. Loose the button for stopping speaking. During talking, one group only allows one unit of system to transmit signal at the same time, other units can only receive the transmitter signal.

3. Recharging

See "Recharging Instruction" on page 3, the recharging time is about four hours.

Caution /Maintenance

- The system has been adjusted by precise equipment before delivery. In order to avoid damaging, do not open and repair it by non-technician.
- Do not expose the system directly to dust, moist, high temperature and magnetic fields, as there may affect the service life.
- Battery belongs to consumption part, it is not within the after-service range, please use the battery supplied by manufacturer when you want to change the battery.
- If the battery is at low power, please recharge in time.